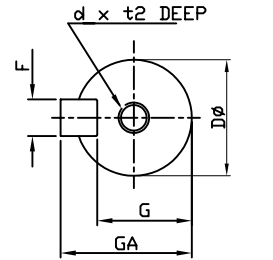
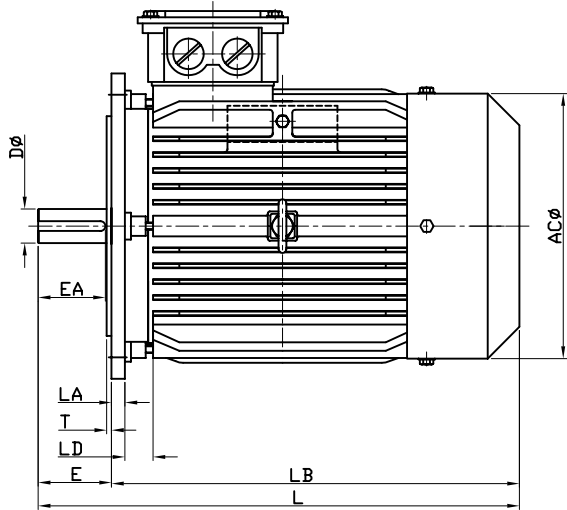
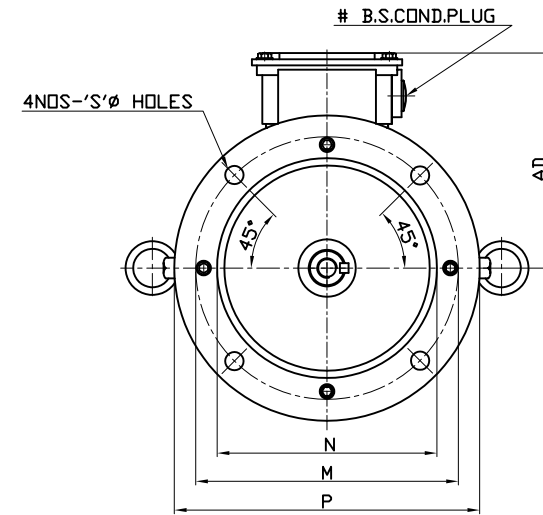


## TOTALLY ENCLOSED FAN COOLED STANDARD MOTORS WITH SQUIRREL CAGE ROTORS FLANGE MOUNTING (B5 DESIGN)



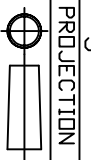
**SHAFT EXT.DETAIL**



FRAME	D	d x t2	E	EA	F	G	GA	LA	LB	LD	N	M	P	S	T	AC	AD	L
V63AWC	11	M 5X12	23	17	4	8.5	12.5	9	182	19	95	115	140	10	3	120	95	205
V71AWC	14	M 5X12	30	25	5	11	16	9	225	19	110	130	160	10	3.5	140	110	255
V80AWC	19	M 5X12	40	35	6	15.5	21.5	10	250	20	130	165	200	12	3.5	160	100	290
V90AWC	24	M 5X12	50	45	8	20	27	10	270	33	130	165	200	12	3.5	178	130	320
V100L	28	M10X26	60	55	8	24	31	11	320	29	180	215	250	15	4	198	150	380
V112AWC	28	M10X26	60	55	8	24	31	11	335	35	180	215	250	15	4	218	170	395
V132S	38	M12X28	80	70	10	33	41	12	400	29	230	265	300	15	4	258	195	480
V132M	38	M12X28	80	70	10	33	41	12	438	29	230	265	300	15	4	258	195	518
V160M	42	M16X32	110	95	12	37	45	15	508	25	250	300	350	19	5	290	215	618
V160L	42	M16X32	110	95	12	37	45	15	552	25	250	300	350	19	5	290	215	662
V180	48	M16X32	110	95	14	42.5	51.5	16	605	56	250	300	350	19	5	353	285	715
V200	55	M20X40	110	95	16	49	59	18	655	52	300	350	400	19	5	397	315	765
V225 2POLE	55	M20X40	110	95	16	49	59	19	735	50	350	400	450	19	5	430	340	845
V225 4,6,8POLE	60	M20X40	140	125	18	53	64	19	735	50	350	400	450	19	5	430	340	875

**NOTES:-**

- 1) DIMENSIONS AS PER IS: 2223
- 2) DIMENSIONS d x t2 AS PER IS: 2540
- 3) THE FACE OF THE FLANGE IS IN LINE WITH SHOULDER OF THE SHAFT EXTENSION
- 4) LIFTING EYE BOLT WILL BE PROVIDED FOR FRAME SIZE V132 AND ABOVE UPTO FRAME SIZE V180
- 5) LIFTING EYE BOLTS 2 Nos. WILL BE PROVIDED FOR FRAME SIZE V200 & V225 AT 45°
- 6) # 3/4" B.S. COND. UPTO 160 FRAME AND 1" B.S. COND. FOR 180, 2" B.S. COND. FOR 200 & 225 FRAME
- 7) FOR 63 & 71 FRAME SHAFT WILL BE PROVIDED WITH CLOSE KEYWAY, 80 TO 250 FRAME SHAFT WILL BE PROVIDED WITH OPEN KEYWAY.
- 8) 8 Nos. OF CUSTOMER'S FLANGE MOUNTING HOLES ARE PROVIDED FOR FRAME V225 AS PER IS: 2223



GEN. TOLERANCES ON DIMS  
1 PLACE DEC:- ±0.5mm  
2 PLACE DEC:- ±0.13mm

MACHINED SURFACES SHOWN BY  
▽ Rough Finish    ▽▽ Ground Finish  
▽▽ Smooth Finish    ⊗ Chamfer 0.5x45°

IF IN DOUBT, ASK

**ALL DIMENSIONS ARE IN mm**  
 MATERIAL OF FRAME  
 63 TO 90/112-ALUMINIUM FRAME  
 100/132 TO 225-CAST IRON FRAME  
 DRN. PCP 19-01-2006  
 CHD. SMV 19-01-2006  
 AppD. N.T.S.  
**3 PHASE MOTOR**  
 TFC/BS  
**DIMENSION DRG.**  
 SPARTAN ELECTRICALS  
 WAGLE ESTATE, THANE-400604  
 A4-SE-01534  
 REV-01